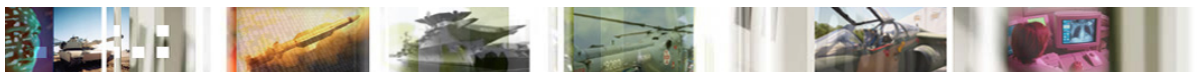
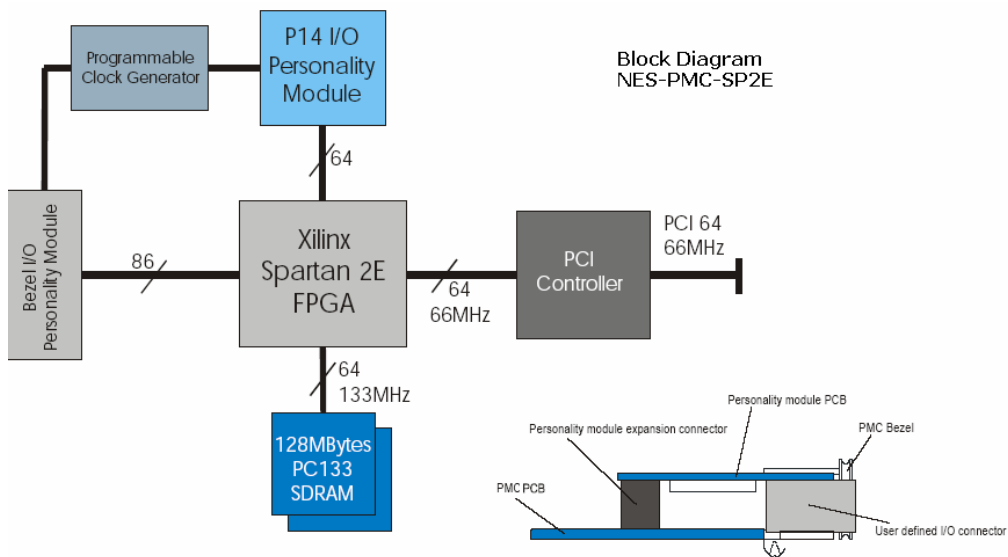


**NES-PMC-SP2E**

- Industry standard IEEE P1386 PCI Mezzanine Card (PMC) - measures just 149mm x 74mm
- User programmable Xilinx Spartan 2E FPGA (300-600K system gates)
- PCI 64/66 controller with scatter/gather DMA supports transfers at up to 528MBytes/second
- 128MBytes PC133 SDRAM
- User programmable clock generator Personality modules for bezel and P14 I/O, e.g. Gigabit serial LVDS, Front Panel Data Port
- Rapid, cost effective design and manufacture of custom personality modules





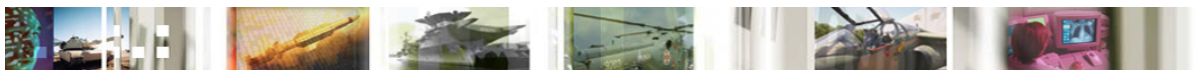
The NES-PMC-SP2E is an IEEE P1386.1 compliant PCI Mezzanine Card (PMC) with a fast 64 bit 66MHz PCI controller and a user programmable Xilinx Spartan 2E FPGA, suited to both high performance I/O and FPGA based processing (DSP).

The Spartan 2E FPGA is based on the established Virtex E architecture and offers extensive logic and clocking resources, as well as distributed and block RAM memory. 128MBytes of external PC133 SDRAM may be specified as a factory option for applications requiring a large buffer memory. I/O and FPGA clocks are derived from a high flexible user programmable clock generator.

User FPGA programming is supported with VHDL examples and templates. Software drivers, libraries, utilities and examples are available for a variety of host platforms.

Personality modules are used to adapt the FPGA to specific I/O standards such as Front Panel Data Port and Gigabit serial LVDS, and a rapid design and manufacturing service is available for other applications. Physical connections are supported through the bezel and also the PMC user I/O connector (P14).

For information about the growing number of personality modules or to specify a custom design - please contact us



[www.nolam.com](http://www.nolam.com)  
[sales@nolam.com](mailto:sales@nolam.com)



#### **FPGA**

Type Xilinx Spartan 2E  
Number of  
System Gates 300K/600K

#### **Main Memory**

Type SDRAM  
Size 64/128Mbytes  
Bus Speed 133MHz

#### **PCI Interface**

Compliance PCI 2.2  
Width 32/64 bit  
Speed 33/66 MHz  
Voltage keying universal

#### **Mechanical**

Form factor IEEE P1386 PCI  
Mezzanine Card (PMC)  
Size 149mm x 74mm  
Weight 175g

#### **Environmental**

Power dissipation 7 Watts (Max)  
Operating temperature 0 to 55 °C  
Storage temperature -10 to 85 °C  
Operating humidity 5% to 75% non condensing  
Storage humidity 5% to 95% non condensing

#### **Environmental**

Power dissipation 7 Watts (Max)  
Operating temperature 0 to 55 °C  
Storage temperature -10 to 85 °C  
Operating humidity 5% to 75% non condensing  
Storage humidity 5% to 95% non condensing

